

Rennrad/Road BB30-68 mm

Lagerweite / Bearing Width 65 mm

Stand: Okt. 2014
As of: Oct. 2014

Zugehöriges Kit / Included in kit:
BTLO202 - BB30-Tretlagerkit
BTLO202 - BB30-Bottom bracket kit

1,5 mm Lagerdichtung / Bearing Seal
TL0209

5,75 mm Spacer
TL0208

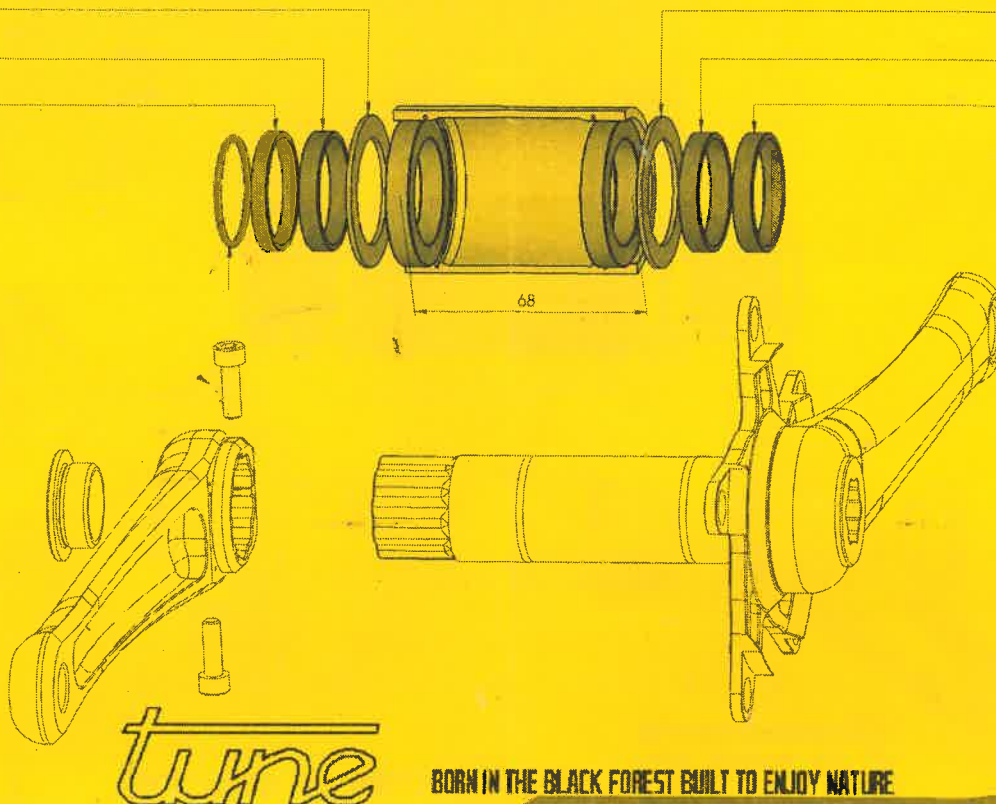
4,5 mm Spacer
TL0207

1,5 mm Lagerdichtung / Bearing Seal
TL0209

5,75 mm Spacer
TL0208

5,75 mm Spacer
TL0208

1,8 mm O-Ring
TL0212



Rennrad/Road BBright DirectFit-79 mm

Lagerweite / Bearing Width 76 mm (asymmetrisch)

Stand: Okt. 2014
As of: Oct. 2014

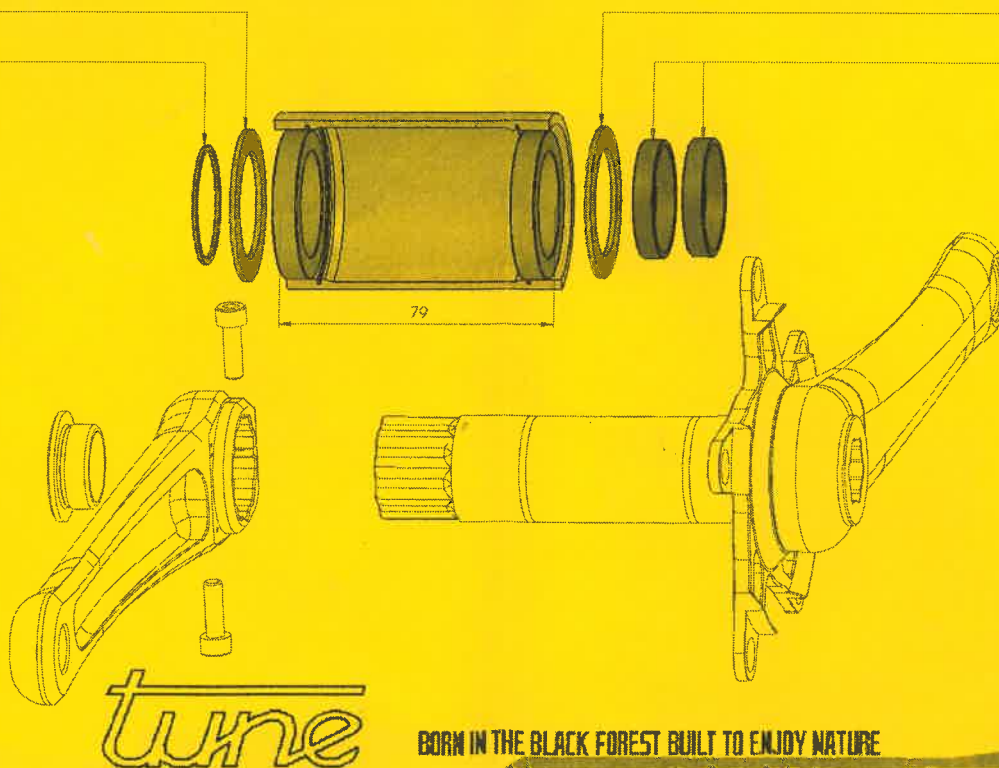
Zugehöriges Kit / Included in kit:
BTLO202 - BBrightDirectFit-Tretlagerkit
BTLO202 - BBrightDirectFit-Bottom bracket kit

1,5 mm Lagerdichtung / Bearing Seal
TL0209

1,8 mm O-Ring
TL0212

1,5 mm Lagerdichtung / Bearing Seal
TL0209

5,75 mm Spacer
TL0208



MTB BB30-73 mm Cannondale

Lagerweite / Bearing Width 70 mm

Stand: Okt. 2014
As of: Oct. 2014

Zugehöriges Kit / included in kit:
BTL0202 - BB30 Tretlagerkit für Ø42mm
BTL0202 - BB30 bottom bracket kit for Ø42mm

1,5 mm Lagerdichtung / Bearing seal
TL0209

0,5 mm Spacer
TL0215

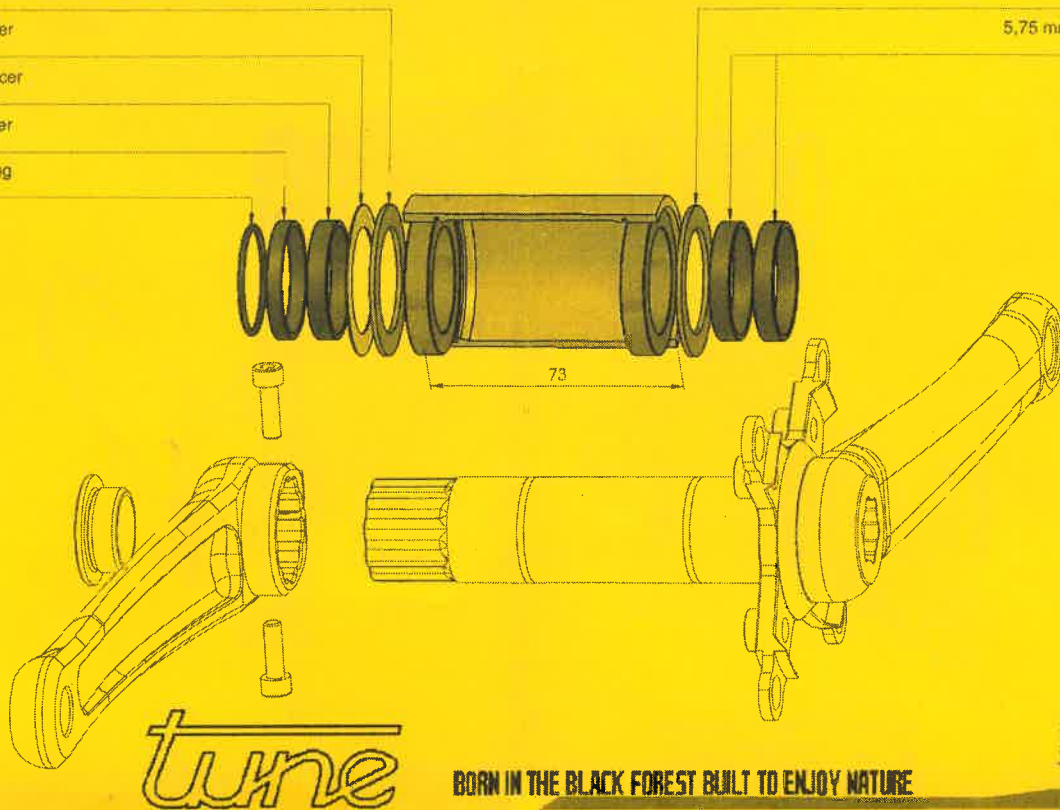
5,75 mm Spacer
TL0208

4,5 mm Spacer
TL0207

1,8 mm O-Ring
TL0212

1,5 mm Lagerdichtung / Bearing seal
TL0209

5,75 mm Spacer
TL0208



MTB BB30-85 mm Specialized

Lagerweite / Bearing Width a/a 81,5 mm

Stand: Okt. 2014
As of: Oct. 2014

Zugehöriges Kit / included in kit:
BTL0202 - BB30 Tretlagerkit für Ø42mm
BTL0202 - BB30 bottom bracket kit für Ø42mm

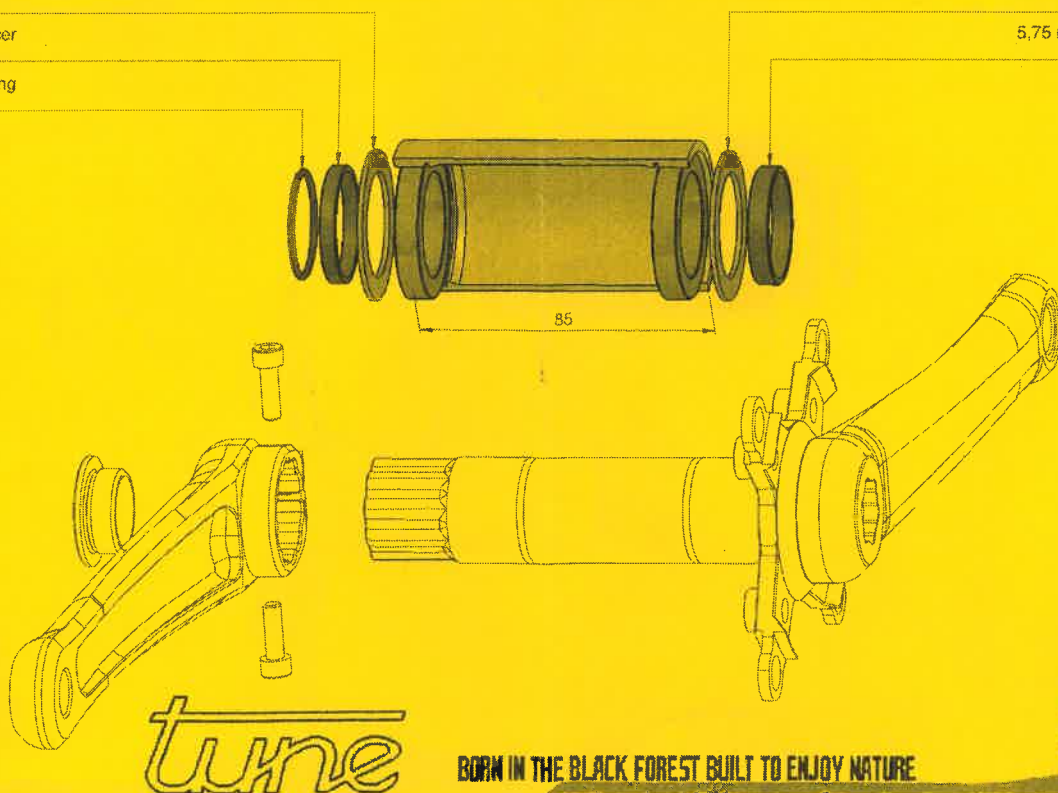
1,5 mm Lagerdichtung / Bearing seal
TL0209

4,5 mm Spacer
TL0207

1,8 mm O-Ring
TL0212

1,5 mm Lagerdichtung / Bearing seal
TL0209

5,75 mm Spacer
TL0208



Rennrad/Road
BB30 PressFit30-68
Lagerweite / Bearing Width 76,5 mm

Stand: Okt. 2014
As of: Oct. 2014

Zugehöriges Kit / included in kit:
BTL0201 - BB30PF30-68-Tretlagerkit
BTL0201 - BB30PF30-68-Bottom bracket kit

Pressfit30 Lagerschale / Bearing Cup
TL0204

Pressfit30 Lagerschale / Bearing Cup
TL0204

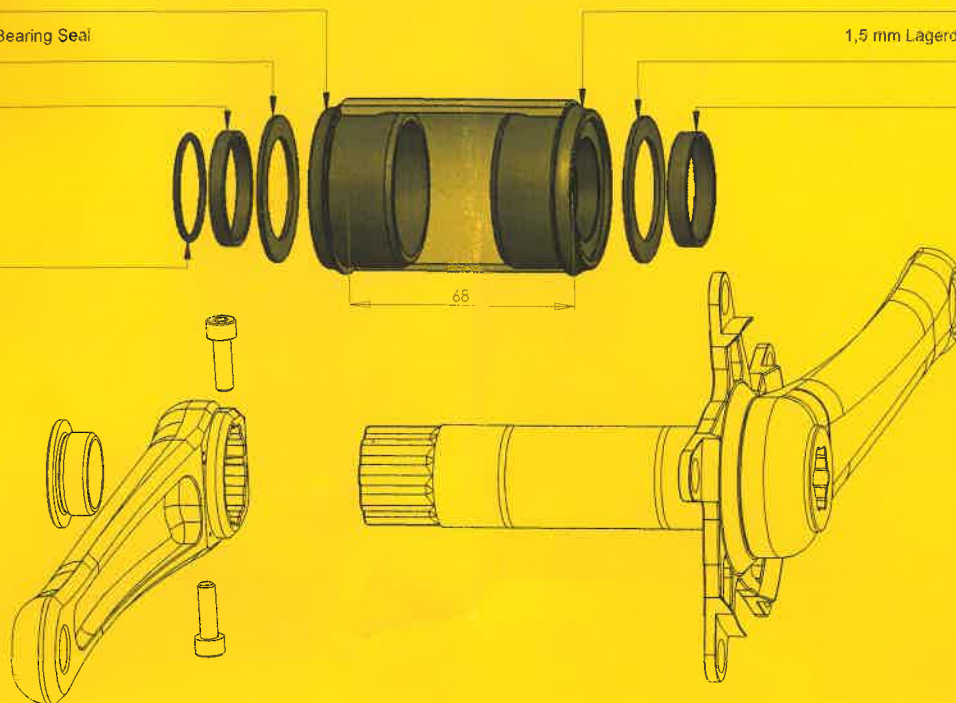
1,5 mm Lagerdichtung / Bearing Seal
TL0209

1,5 mm Lagerdichtung / Bearing Seal
TL0209

4,5 mm Spacer
TL0207

5,75 mm Spacer
TL0208

1,8 mm O-Ring
TL0212



MTB BB30-Pressfit30

Lagerweite / Bearing Width a/a 81,5 mm

Stand: Okt. 2014
As of: Oct. 2014

Zugehöriges Kit / included in kit:
BTL0201 - Pressfit30 Tretlagerkit SRAM für Ø46mm
BTL0201 - Pressfit30 bottom bracket kit SRAM
für Ø46mm

Pressfit30 Lagerschale / bearing cup
TL0204

Pressfit30 Lagerschale / bearing cup
TL0204

1,5 mm Lagerdichtung / Bearing seal
TL0209

1,5 mm Lagerdichtung / Bearing seal
TL0209

4,5 mm Spacer
TL0207

5,75 mm Spacer
TL0208

1,8 mm O-Ring
TL0212

