

1 2 3 4 5 6

A

A

B

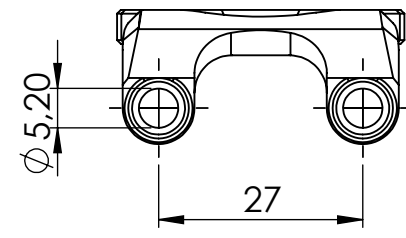
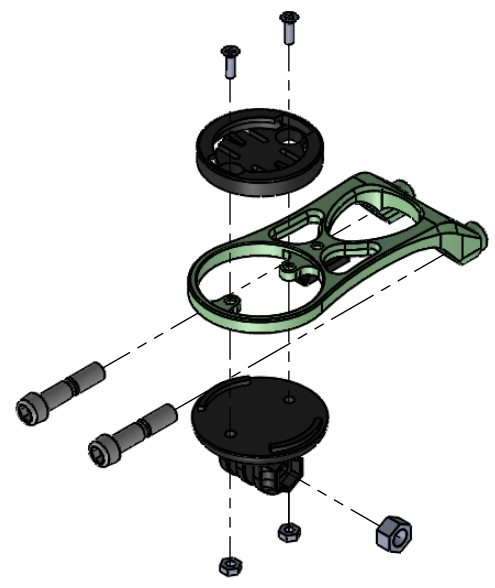
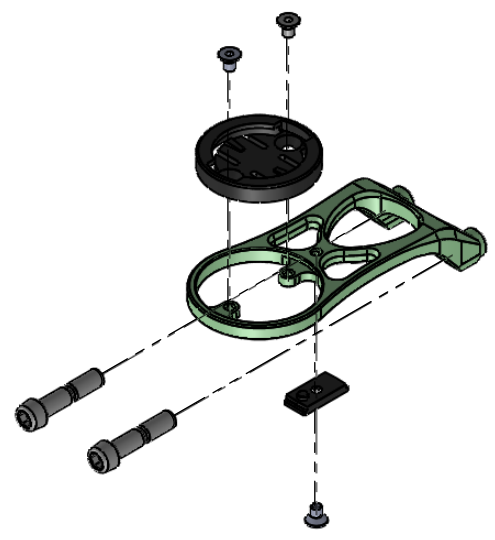
B

C

C

D

D



UNLESS OTHERWISE SPECIFIED:
DIMENSIONS ARE IN MILLIMETERS
TOLERANCES:

DIN-ISO 2768-1 f

PROPRIETARY AND CONFIDENTIAL
THE INFORMATION CONTAINED IN THIS DRAWING IS THE SOLE
PROPERTY OF TUNE GmbH. ANY REPRODUCTION IN PART
OR AS A WHOLE WITHOUT THE WRITTEN PERMISSION OF
TUNE GmbH IS PROHIBITED.

DO NOT SCALE DRAWING

REVISION A

	NAME	SIGNATURE	DATE
DRAWN	J.Wild		09.04.2021
CHK'D	J.Harbusch-Hecking		09.04.2021
APPV'D	J.Harbusch-Hecking		09.04.2021
MFG			
Q.A			

ALLE SCHARFEN
KANTEN BRECHEN
UND ENTGRATEN /
DEBUR AND
BREAK SHARP
EDGES

MATERIAL:

WEIGHT:

TITLE:

tune GmbH
Montage
Explosionsansicht
Porteur

DWG NO.

MN0009

A4

SCALE:1:2

SHEET 1 OF 1

1

2

1

2

3

4

5

6