

Bulletin number #CPETB7070003

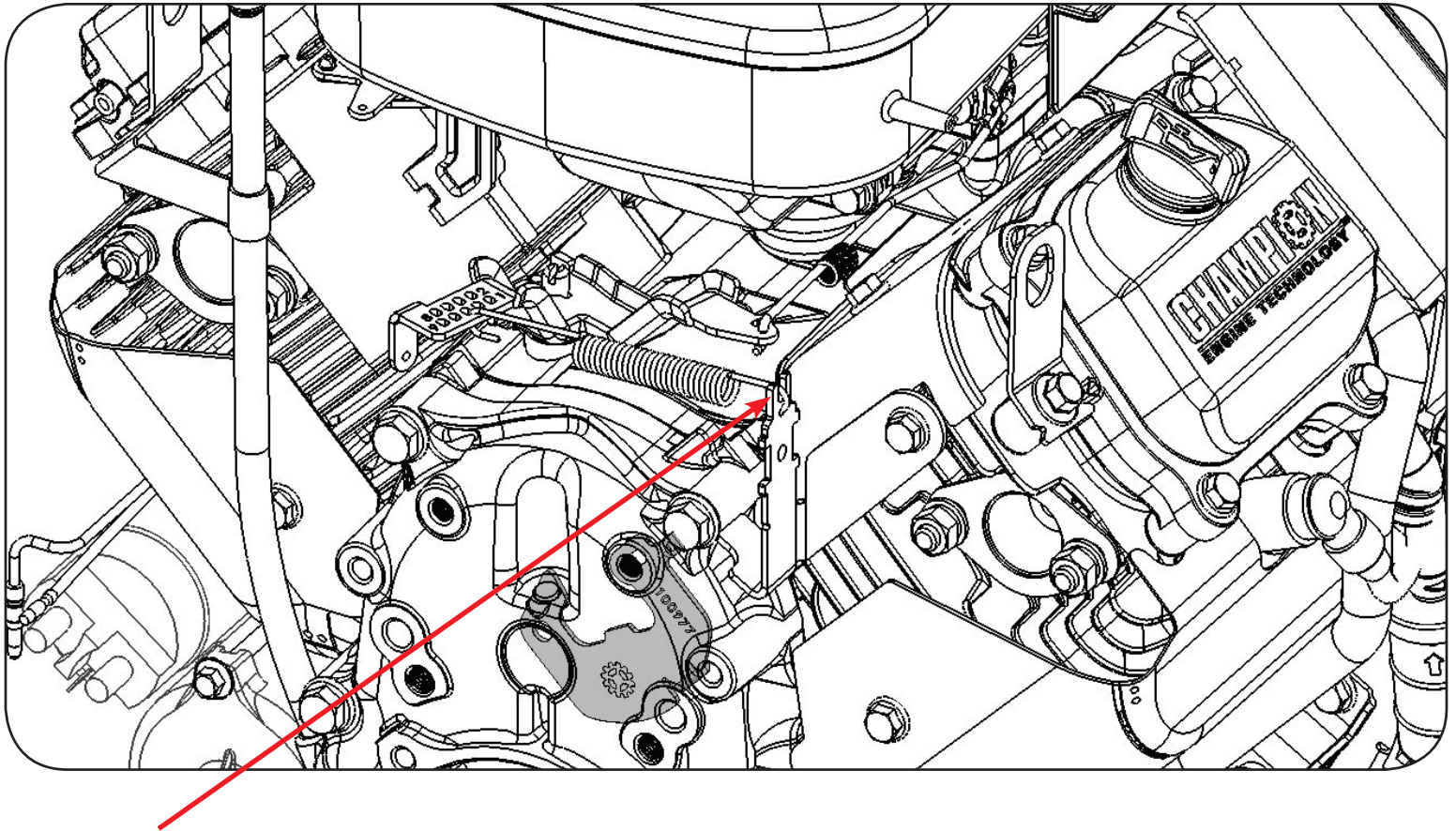
Engine Speed Setting Adjustment

This bulletin covers the following Champion Power Equipment models (*Note: Read instructions completely before performing service*):

- All Champion Power Equipment products equipped with a 717cc or 754cc engine

Instructions to set engine speed

1. Engine speed is normally set to 3750 RPM (62.5 HZ) high speed no load (HSNL)
2. Set engine speed with no electrical load on the generator
3. Use long needle nose pliers, or a long screw driver, to bend the spring anchor on the fixed speed controls.
 - a. To increase engine speed HSNL bend the spring anchor tang on the fixed speed controls away from the governor lever to increase spring tension.
 - b. To decrease engine speed HSNL bend the spring anchor tang on the fixed speed controls toward the governor lever to decrease spring tension.



Bend spring anchor tang to adjust engine speed.