

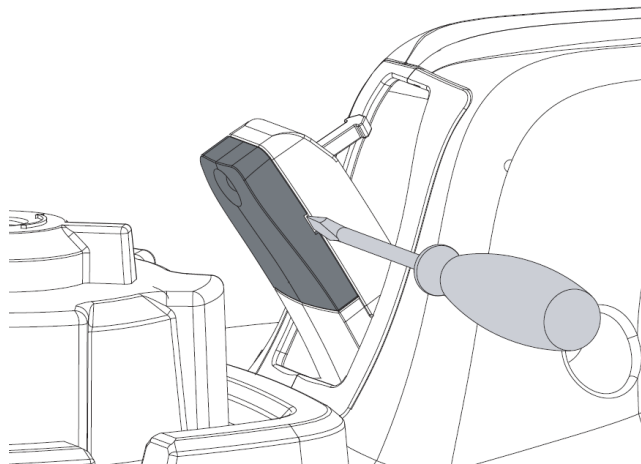
Fuel Tank Light Indicator Battery Replacement

This covers the following models (Read completely before performing service):

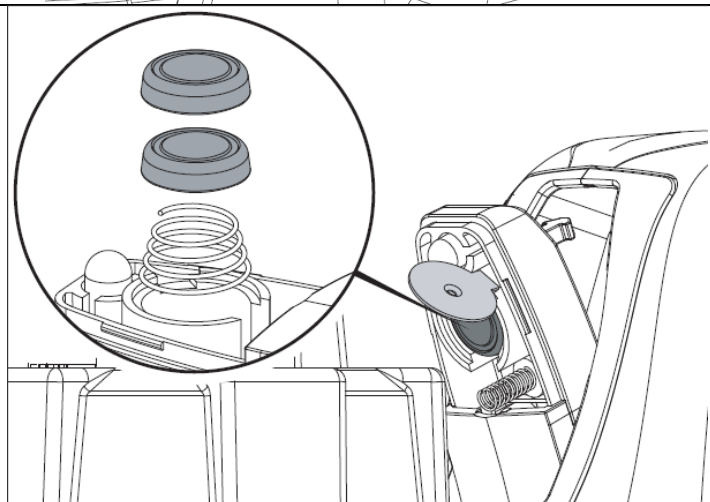
- 100306
- 100402
- 100414
- 100565
- All other 2000W Clamshell Models

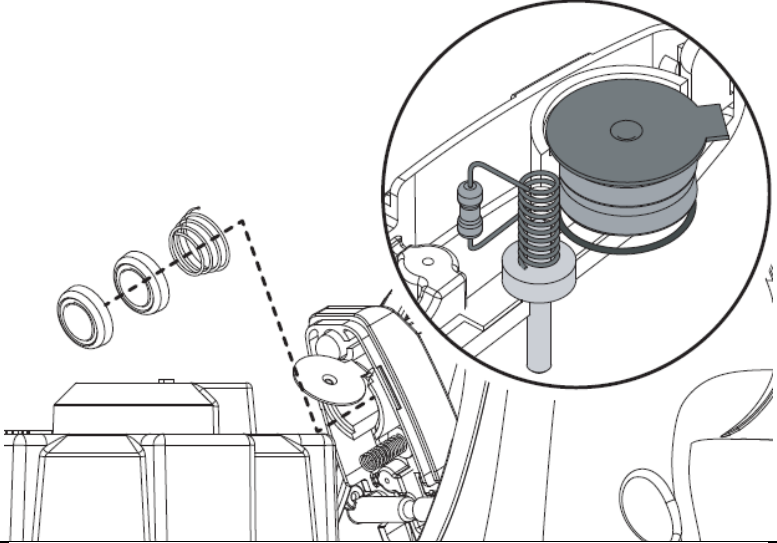
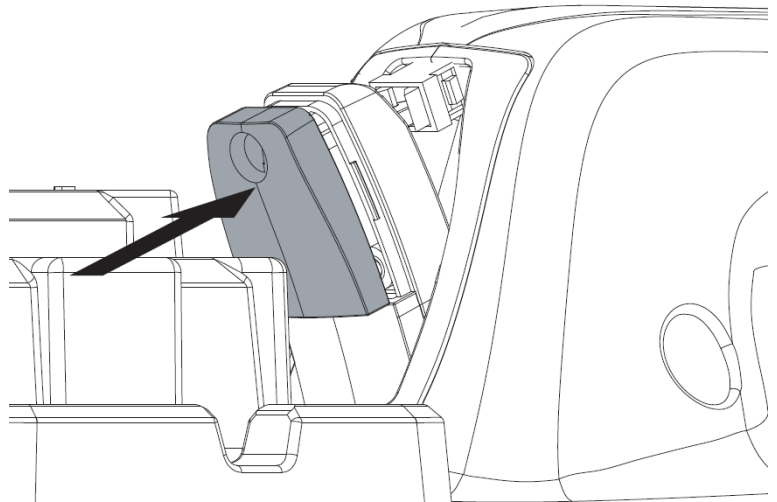
Follow the instructions below to replace the battery cell for the Fuel Tank Light Indicator for 2000W Clamshell Inverters,

1. Use a small screwdriver to disassemble the upper cover. Note: There is a notch on both sides to allow access with a screwdriver.



2. Move the round copper cover plate and remove the battery cells.



<p>3. Keep the small spring attached to the copper pillar and place the compressed spring back into the bottom of the assembly. Note: The compressed spring will have the small end facing outward</p>	
<p>4. Place new battery cells back into the assembly with negative (-) pole facing upwards and positive (+) facing towards the compressed spring. Move the round copper cover plate to cover and touch the button cell.</p>	
<p>5. Insert the small spring back into the pocket of the upper cover and press the upper cover into place to complete the installation.</p>	

If you have any questions regarding the previous procedure, please contact our technical department Monday-Friday from 8:30 AM-5:00 PM PST at 877-338-0999.

If you have any questions, please contact Champion Power Equipment:

Champion Power Equipment, Inc.
 12039 Smith Ave.
 Santa Fe Springs, CA 90670
 Phone: 1-877-338-0999
 Email: tech@championpowerequipment.com