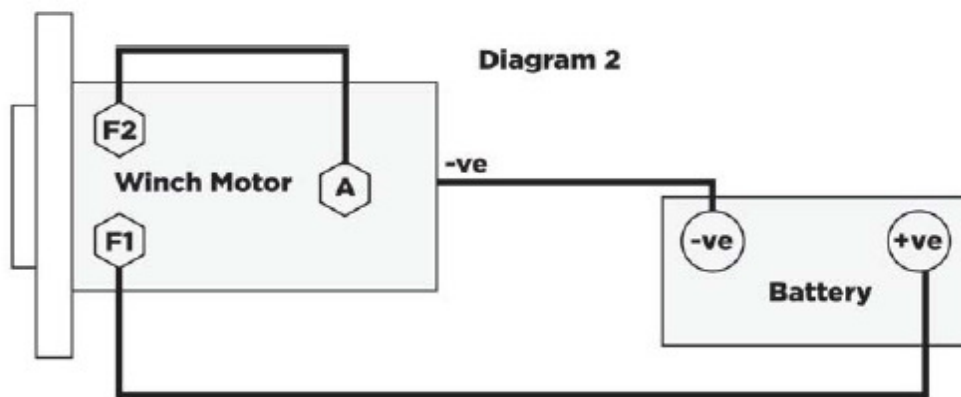
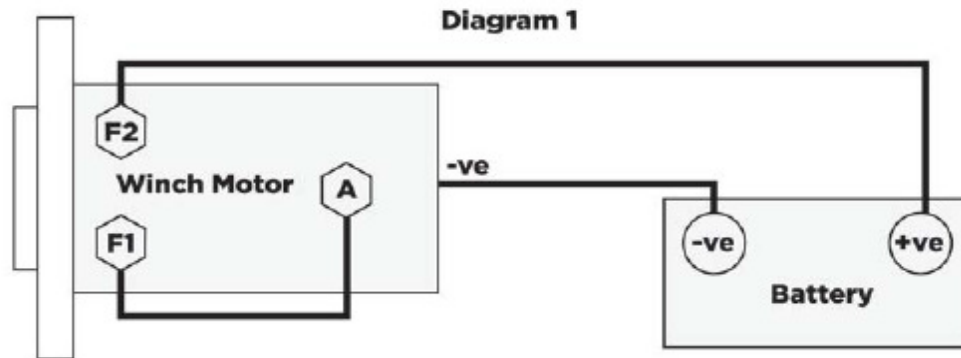


## HOW TO BENCH TEST A WINCH MOTOR

Before starting ensure that the winch is properly secured to the bench.

1. Connect an earth cable to the motor earth (bolt on the bottom of the winch motor).
2. Connect a cable between terminal F1 and terminal A. (Diagram1)
3. To test, connect a live cable to terminal F2.
4. To test the other polarity, connect a cable between terminal F2 and terminal A. (Diagram2)
5. To test connect a live cable to terminal F1.



If you are unsure check with an auto electrician or contact your winch supplier.

Extreme 4x4 Ltd does not accept any responsibility for parts, which are not fitted correctly.

**Always drive your vehicle according to the prevailing conditions and your own driving ability.**