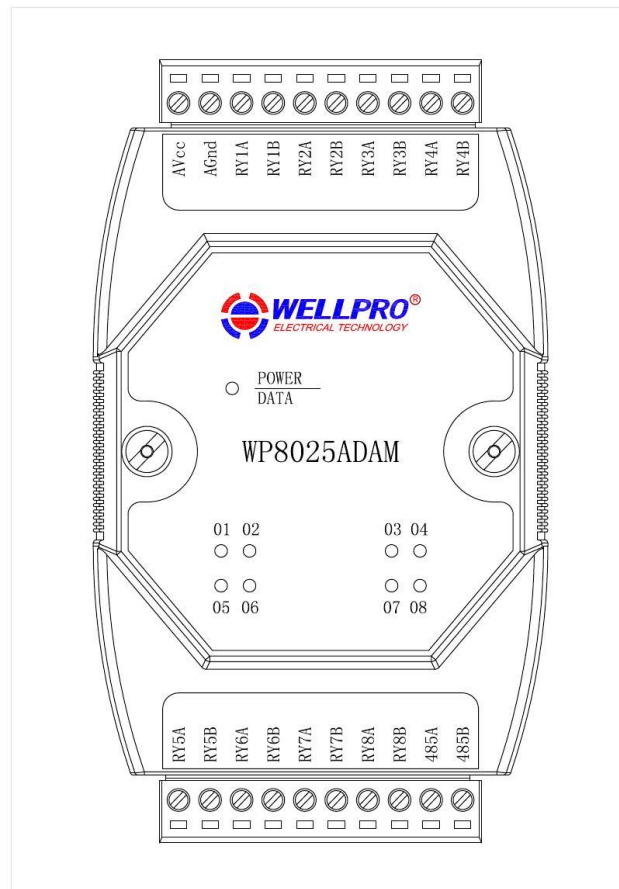


WP8025ADAM

User's Manual

Version 1.42A



Shanghai Wellpro Electrical Technology Co., Ltd.
www.shwellpro.com

1、Product description

- Eight relay output channel (SPST)
- RS485 MODBUS RTU standard communication protocol
- Netted with configuration software, PLC or industry touch panel
- Communication, digital input and digital output status LED
- Communication circuit designed for thunder protection and interference immunity
- Used for signal collection and control in industrial field

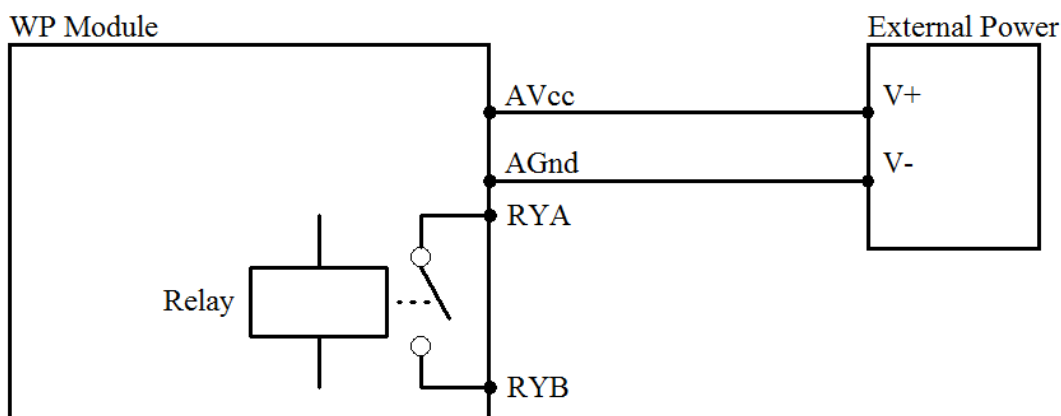
2、Specification

- Relay output channel 8ch (SPST)
- Relay contact capacity 2A/250VAC 2A/30VDC
- Working temperature -20~70°C
- External power supply DC9V~30V/5W
- Isolation protection DC1500V
- Installation method Standard DIN slide rail or screw
- Dimension 125×73×35mm

3、Interface description

AVcc	External power supply input positive
AGnd	External power supply input negative / Power ground
RY1A	Relay output channel 1 normally open contact A
RY1B	Relay output channel 1 normally open contact B
RY2A	Relay output channel 2 normally open contact A
RY2B	Relay output channel 2 normally open contact B
RY3A	Relay output channel 3 normally open contact A
RY3B	Relay output channel 3 normally open contact B
RY4A	Relay output channel 4 normally open contact A
RY4B	Relay output channel 4 normally open contact B
RY5A	Relay output channel 5 normally open contact A
RY5B	Relay output channel 5 normally open contact B
RY6A	Relay output channel 6 normally open contact A
RY6B	Relay output channel 6 normally open contact B
RY7A	Relay output channel 7 normally open contact A
RY7B	Relay output channel 7 normally open contact B
RY8A	Relay output channel 8 normally open contact A
RY8B	Relay output channel 8 normally open contact B
485B	RS485 signal B-
485A	RS485 signal A+

4、Digital output application diagram



5、Communication description

5.1、Communication parameter: 9600, None, 8, 1 (default setting)

Parameter	Description
9600	baud rate
None	check bit
8	data bit
1	stop bit