

FEATURES

- Magnetically removable QWERTY keyboard, with 60 hours of battery life
- Claws that hold your tablet securely in place
- Compatible with Android, iOS and Windows 10
- Built in stand for the most comfortable viewing angle
- 7 different backlight colours with adjustable brightness

FUNCTION KEYS

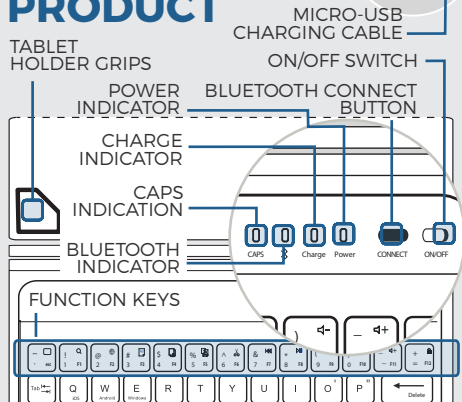
To use the function keys, hold down the 'fn' key on your keyboard and press your desired function key

Icon	Function	Icon	Function
	Home		Previous Song
	Search		Play/Pause
	Change Language		Next Song
	Select All		Volume Down
	Copy		Volume Up
	Paste		Lock Screen
	Cut		

- Turn the On/Off switch to 'On' (The Power Indicator light will turn blue for 2-3 seconds and then switch off. This is just to save battery. Your keyboard is still on)
- Push the connect button (The Bluetooth Indicator light will start to flash)

To learn more about your product and its full feature list, please visit us at www.coopercases.com

KNOW YOUR PRODUCT



HOW TO PAIR

- Gently place the tablet into the Backlight Executive by arranging the 'Tablet Holder Grips' into the corners of your device. The grips are very sturdy and will not damage your device. (to remove your device simply unhook the grips from the corners)
- Place the strap at the back of the case. Magnets will hold it in place so it does not interfere with your viewing.

ios	<ol style="list-style-type: none"> 1. On your iPad go to - Settings>Bluetooth 2. Turn Bluetooth On 3. Search for available devices 4. Choose 'Bluetooth keyboard for iPad' 5. You are connected.
Android	<ol style="list-style-type: none"> 1. On your device go to - Settings>Bluetooth 2. Turn Bluetooth On 3. Search for available devices 4. Choose 'Bluetooth Keyboard' 5. You are connected.
Windows	<ol style="list-style-type: none"> 1. On your device go to - Settings>Devices>Bluetooth 2. Turn Bluetooth On 3. Search for available devices 4. Choose 'Bluetooth Keyboard' 5. You are connected.

Note: Some devices will show a 4,6 or 8 digit pairing code on the screen. Simply type this code on your Backlight Executive keyboard and hit 'Enter' to connect. If no code is displayed then you can also try 0000 or 1234.

CHARGING THE KEYBOARD

1. Before first use, we recommend charging the Backlight Executive for a minimum of 6 hours
2. If the Charge Indicator turns on or if your keyboard will not turn on, it is time to charge the keyboard.
3. Connect the keyboard to a computer/ wall outlet with the USB Charging Cable.
4. Your keyboard is now charging.
5. When the light turns off, your keyboard is fully charged. This usually takes around 2 hours.
6. Note: If you experience any issues with your keyboard (e.g. buttons not working, typing delays or buttons repeating) then please charge your keyboard for 4-6 hours.

TECHNICAL SPECS

Operating Distance:.....10 Metres
Operation Voltage:.....3.0-4.2 V
Operation Current:<2.5 mA
Standby Current:<0.3 mA
Charging Capacity:.....200 mA
Uninterrupted Working Time:.....100 Hours
Key Life:5,000,000 Strokes

TROUBLESHOOTING

Scan the below QR code to watch a video that will help you set up your Backlight Executive



If you have any questions, drop us an email at hello@coopercases.com

For a digital version of this manual please visit the link below.

Para manual de español por favor visite el siguiente enlace.

日本語での操作方法等に関しては、下記のリンク先をご覧ください。

Pour manuel d'instruction français, S'il vous plaît visitez le lien ci-dessous.

Per manuale di istruzioni italiano, si prega di visitare il link sottostante.

Für die deutsche Gebrauchsanweisung folgen sie bitte dem Link unten.

t2c.co/backlightexec

COOPER BACKLIGHT EXECUTIVE

INSTRUCTION MANUAL

BLUETOOTH KEYBOARD FOLIO



COOPER
CASES

