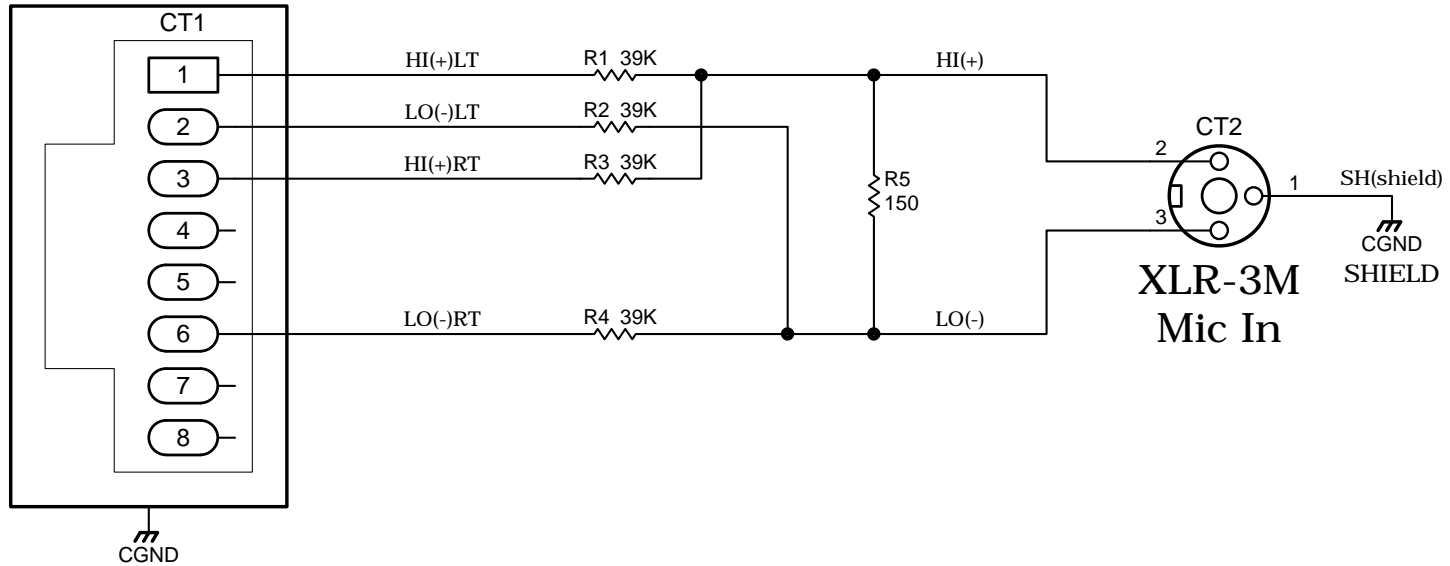


RJ-45
Line Out



CONTRACT NO. RJ-45 to XLR-3M			<i>Mic XLR-3/RJ-45</i>			
APPROVALS	DATE		TELOS ALLIANCE 1241 Superior Ave, Cleveland, OH 44114			
DRAWN SA	3-13-18					
CHECKED SA	_____					
ISSUED SA	_____					
_____	_____	_____	SIZE A	FSCM NO.	DWG. NO. 1491-00005	REV. 102
_____			SCALE	Mic Cable		SHEET 1 OF 1

- Telos Alliance - Sergey Averin -

Microphone RJ-45 to XLR-3M Test Cable Schematic