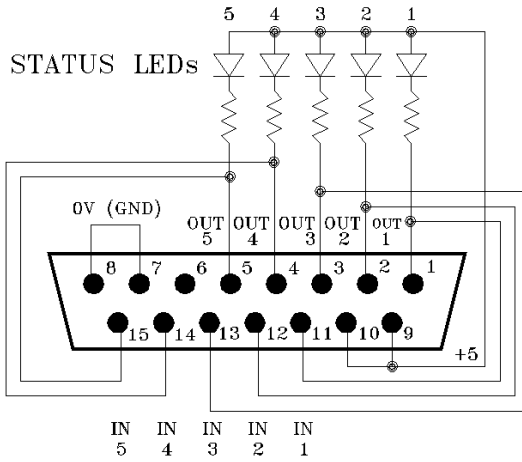
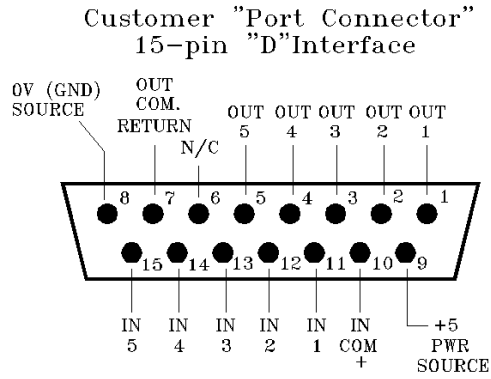


GPIO CPU: I/O Test Connector



LEDs: 20 mA standard...
Resistors: 180 to 200 ohms.

GPIO_BLOCK.DWG