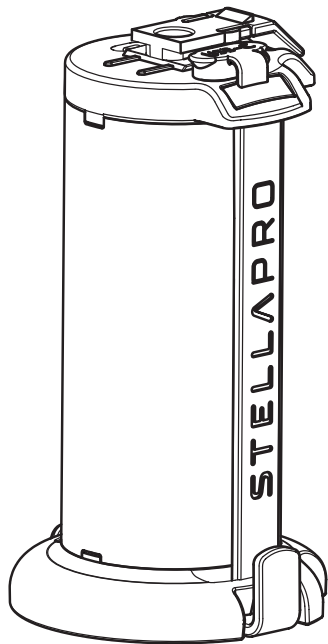
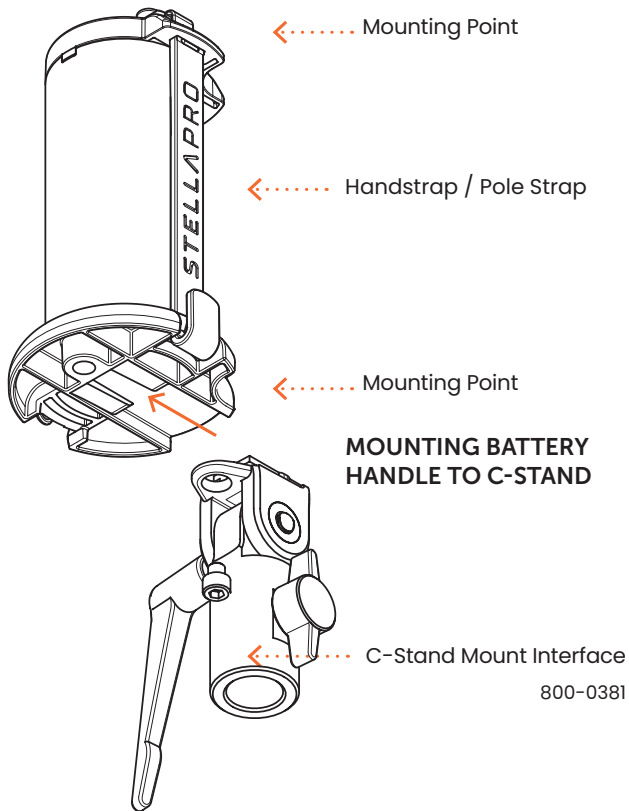


reflex

Quick Start Guide

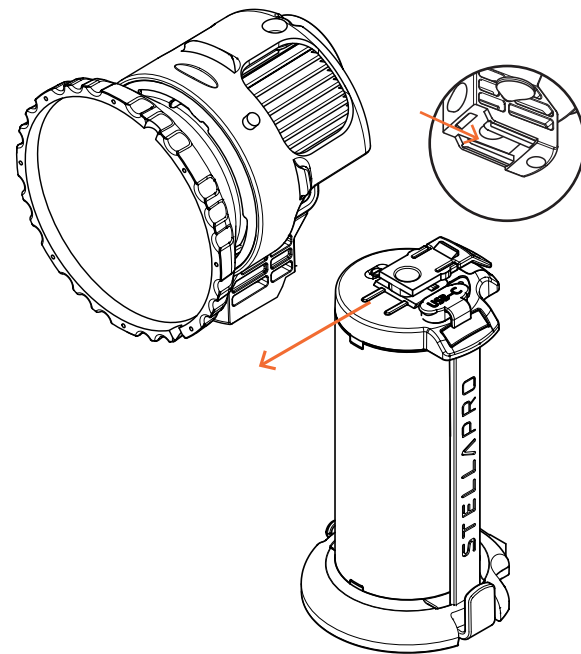


BATTERY HANDLE



800-0381

MOUNTING BATTERY TO REFLEX



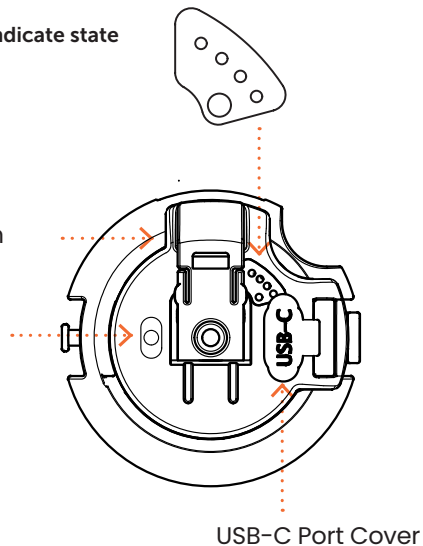
OPERATION

4 LEDs to indicate charge
(25, 50, 75, 100)

Bi-Color LED to indicate state
Charging (Green)
Discharging (Red)

Mounting Latch

Power Button



Battery Runtime on Continuous:

High (30 minutes)

Low: (600 minutes)

Charge (2hrs)

15,000 full power burst per charge.

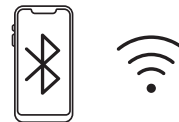
Fully charge battery use

Battery generates high temperature heat while on continuous. Practice caution when handling after extended use.

Battery Discharge Warning:

Make sure to charge the battery every 6 months or the battery will become deeply discharged and may not operate at optimum condition.

DOWNLOAD STELLAPRO IMAGING CONTROL APP (iOS)



Registering your device

Register your device using the StellaPro app to get access to the latest firmware updates.

Firmware update

As we make improvements and add new capabilities make sure to check for the latest firmware to ensure the Reflex is operating to its full capabilities. Download the latest update to your device directly from your phone.